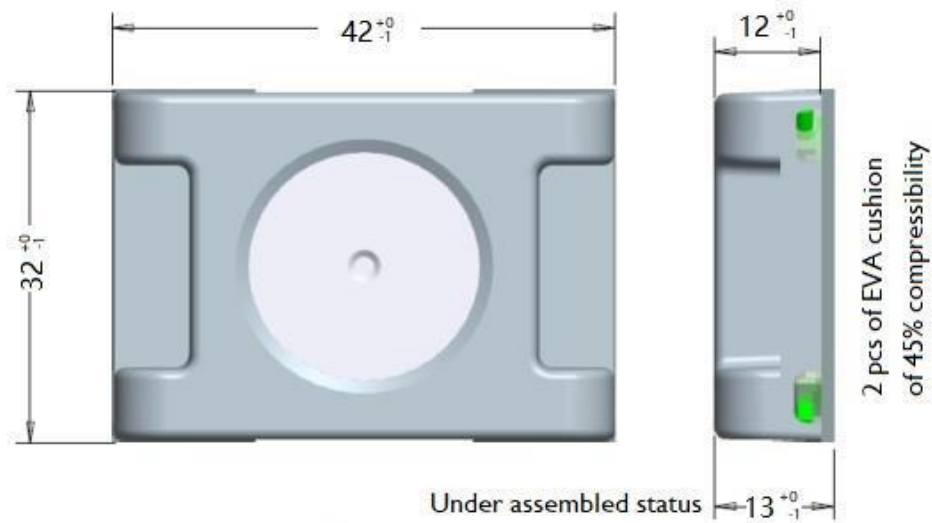


Drawing of Component

Outer Dimensions



Connection / mounting

